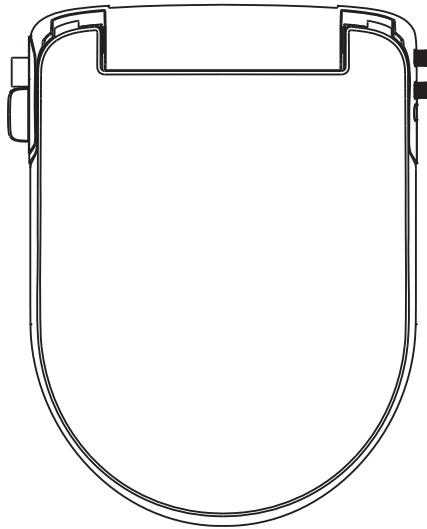




MANUAL BIDET SEAT

HOT & COLD SERIES



PRODUCT INFORMATION

Hygienic Dual Wash Wands

The Bidet Seat uses two hygienic wash wands: one for posterior cleansing and the other for feminine cleansing.

Non-electric Operation

No electricity is required to use the bidet seat. All wash functions are operated by the convenient jog dial control and household water pressure.

Easy Installation

No special tools, professional plumber, or electrical outlet required for installation.

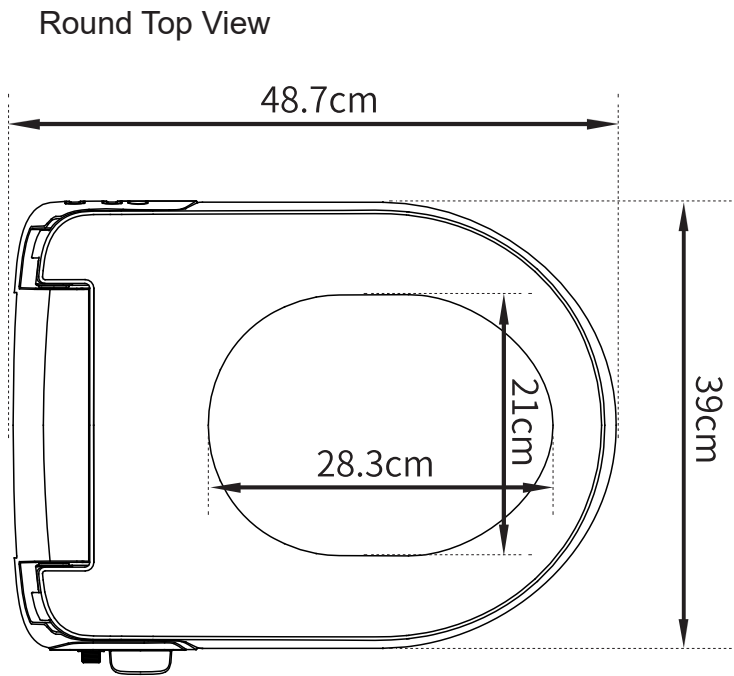
Ergonomic Design

The slow-close ergonomic lid and seat are designed to ensure the most comfortable experience.

Self-cleaning Hygienic Wands

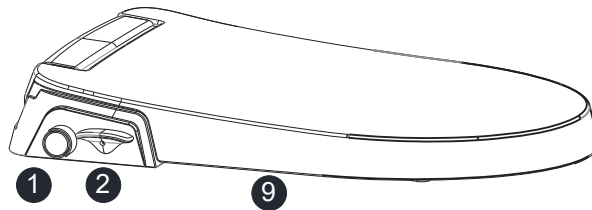
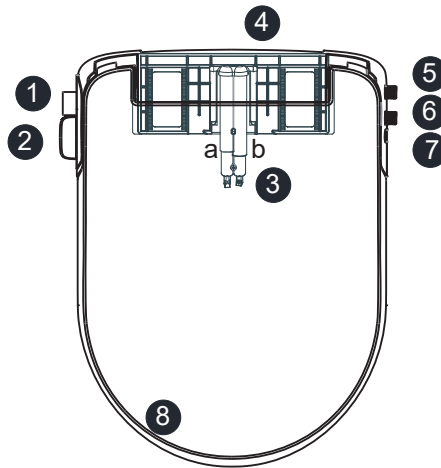
Before and after use, the wash wands self-clean to help stay free of build-up or debris.

PRODUCT INFORMATION



PRODUCT INFORMATION

- | | |
|-----------------------------|-------------------------|
| 1. Temperature control knob | 4. Mounting plate |
| 2. Wash control knob | 5. Cold water inlet |
| 3. Wash wands | 6. Hot water inlet |
| a. Posterior wand | 7. Quick release button |
| b. Front wand | 8. Lid |
| | 9. Seat |

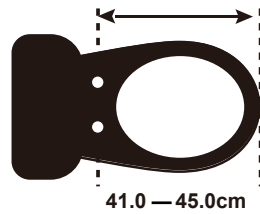


PRODUCT INSTALLATION

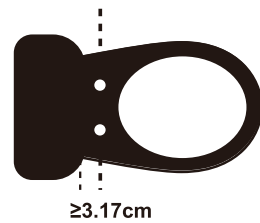
TOILET FIT GUIDE

Use this guide to choose the seat that will best fit your toilet

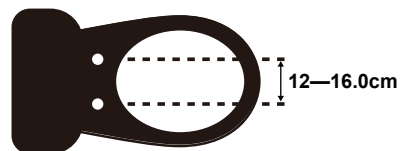
- A** The distance from the front end of the toilet to the two holes should be between 41.0-45.0cm



- B** The distance from the center of the bolt holes to the tank must be at least 3.17cm

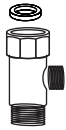


- C** The distance between two toilet holes should be 12-16cm



PRODUCT INSTALLATION

INSTALLATION PART



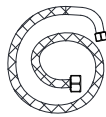
1/2" T-adaptors (2)
1/2" rubber washers(2)



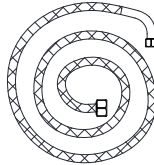
*Extra 3/8" T-adaptors (2)
3/8" rubber washers (2)



Hot water supply cap



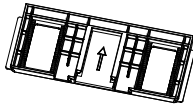
Cold water bidet
hose(70cm)



Hot water bidet
hose(182cm)



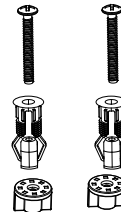
Teflon tape



Mounting Plate



Adjustable bracket(2)



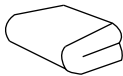
Metal mounting bolts (2)
Plastic anchor bolts(2)
Plastic nut(2)

*Extra parts included to accommodate any toilet

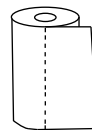
TOOLS YOU NEED TO PREPARE



Water



Towel



Paper

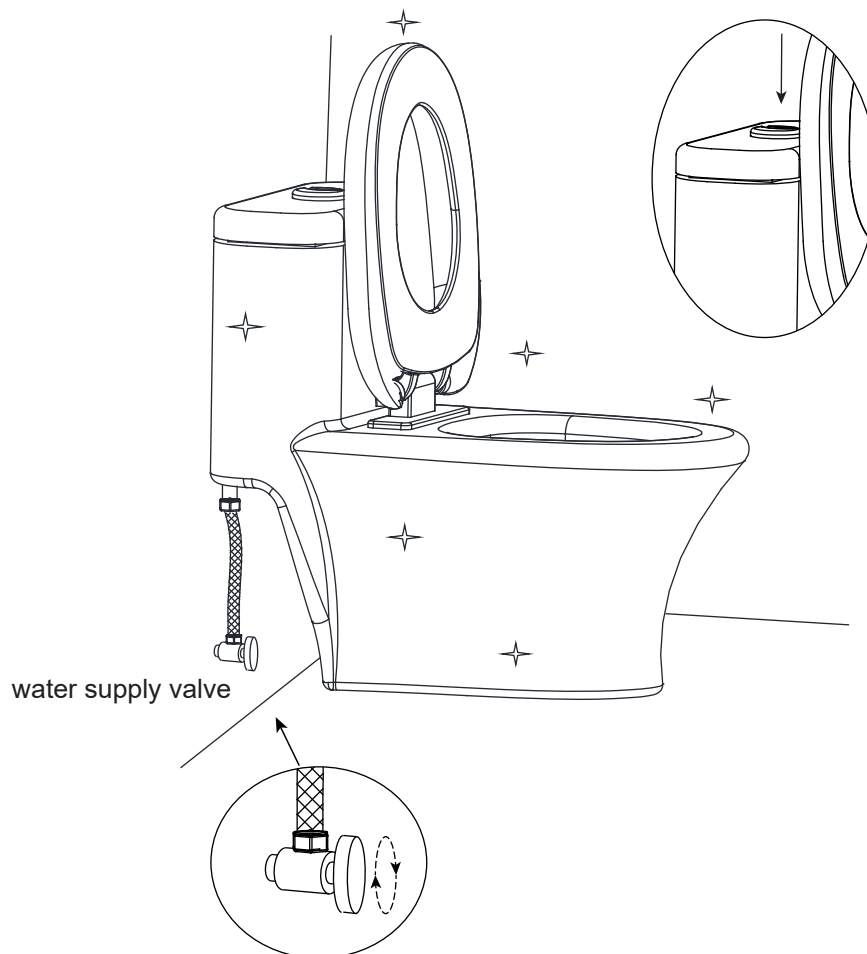


Screwdriver

PRODUCT INSTALLATION

1. Turn off Cold Water Supply Valve

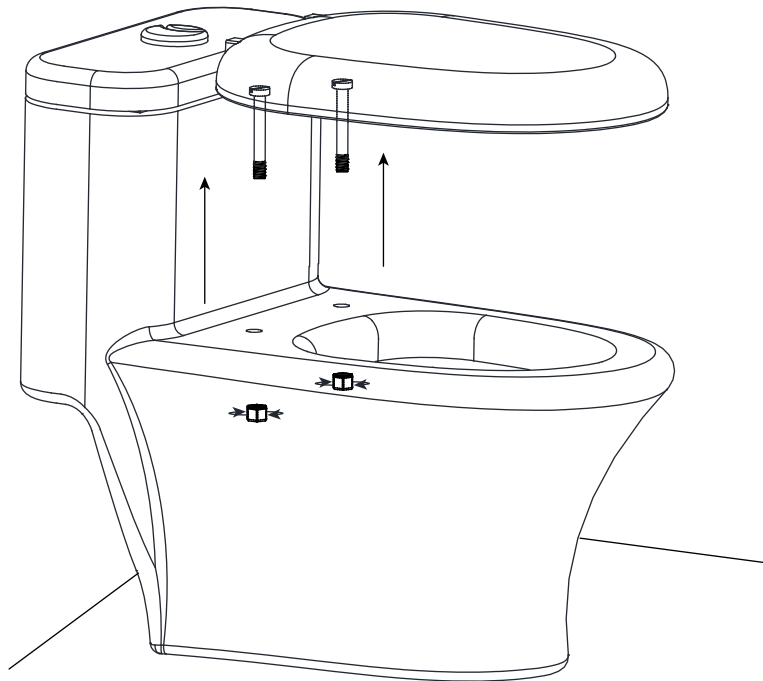
- 1) Turn the cold water supply off at the wall to stop flow of water.
- 2) Flush toilet and hold down handle to completely empty toilet tank.



PRODUCT INSTALLATION

2. Remove Existing Toilet Seat

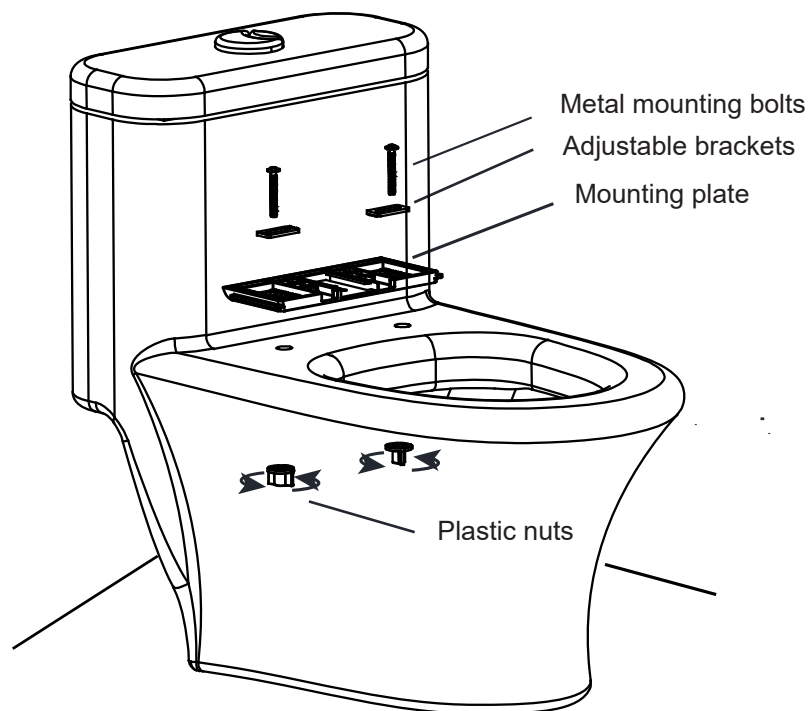
- 1) Lift hinge covers and use a screwdriver to remove the mounting bolts.
- 2) Remove the toilet seat.
- 3) Clean the toilet and dry the toilet seat surface.



PRODUCT INSTALLATION

3. Install Mounting Plate (Option 1)

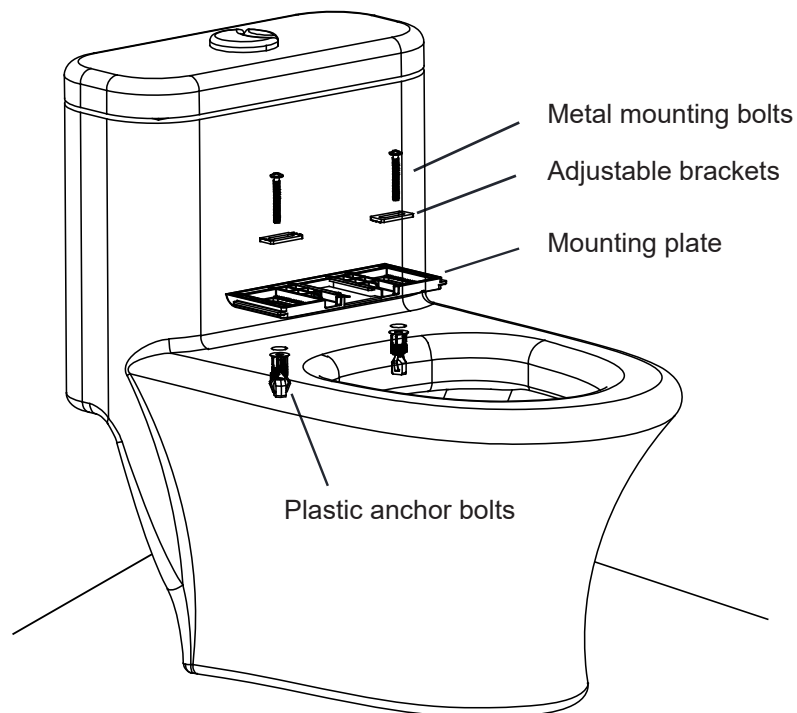
- 1) Place adjustable mounting plate over mounting holes on toilet.
- 2) Place adjustable brackets flat side down in the center of the square opening in the mounting bolts through adjustable brackets and mounting holes. Be sure that the square mounting bolts head is even with sides of adjustable brackets.
- 3) Slide Plastic nut onto mounting bolts under the toilet bowl and tighten to keep mounting plate in place.



PRODUCT INSTALLATION

3. Install Mounting Plate (Option 2)

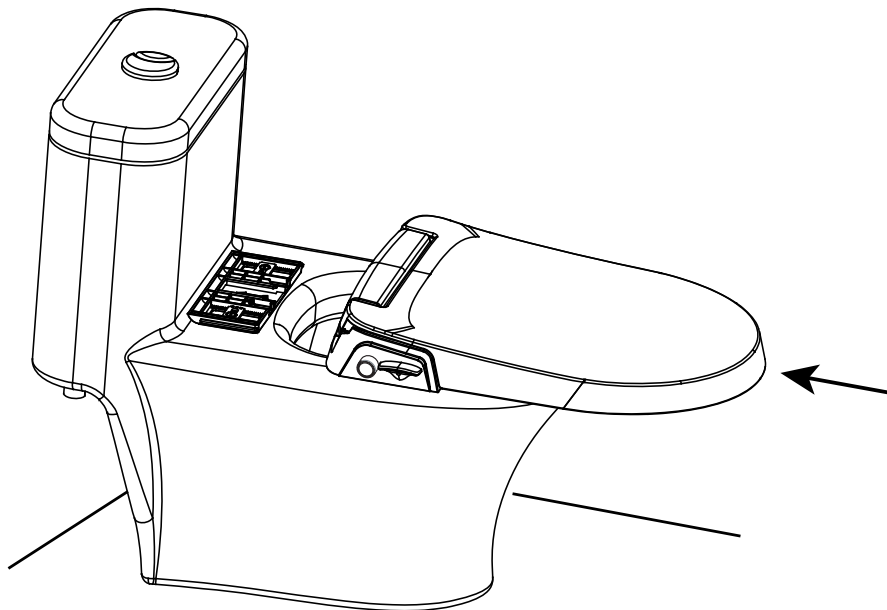
- 1) Insert the Plastic anchor bolts into the mounting holes on toilet.
- 2) Place adjustable mounting plates over mounting holes on toilet.
- 3) Place adjustable brackets flat side down in the center of the square opening in the mounting bolts through adjustable brackets and mounting holes. Be sure that the square mounting bolts head is even with sides of adjustable brackets.
- 4) Place the stainless plates over the adjustable plates.
- 5) Slide metal mounting bolts onto expansion tube on the mounting holes and tighten to keep mounting plate in place.



PRODUCT INSTALLATION

4. Attach Toilet Seat to the Mounting Plate

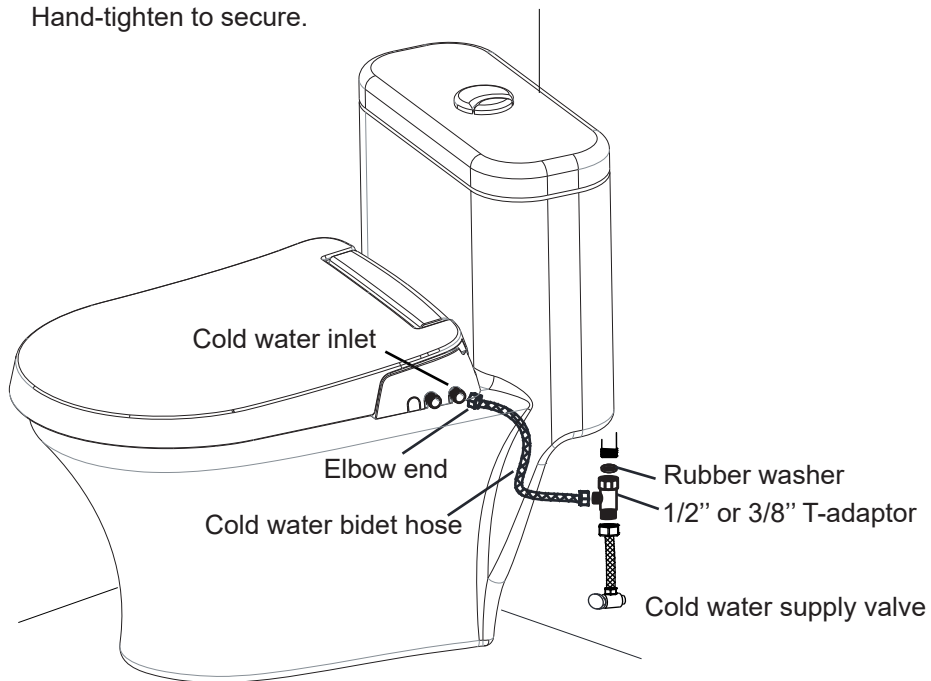
- 1) Set the bidet seat flat on the toilet bowl in front of the mounting plate and slide seat onto plate until it is secure and “click” into place.
- 2) If the seat appears too short or too long for the toilet, adjust the mounting plate accordingly. To adjust the mounting plate, loosen barrel nuts underneath the toilet and slide seat forward or backwards as needed. Once the seat is lined up properly, tighten barrel nuts to hold in place.



PRODUCT INSTALLATION

5. Connecting Cold Water Supply

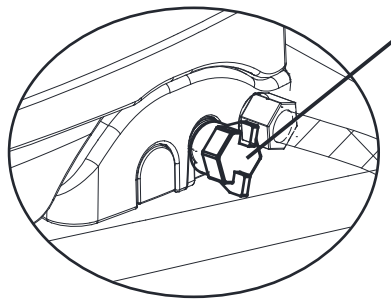
- 1) Disconnect water supply hose from toilet tank or from the water supply valve coming from wall.
- 2) Place the rubber washer into the 1/2" or 3/8" T-adaptor, install the T-adaptor to the incoming water connection on the bottom of your toilet tank or the cold water supply valve.
- 3) Connect the water supply line coming from the wall to the bottom of the T-adaptor.
- 4) Connect the Cold Water Bidet Hose(elbow end) to the Cold Water Inlet on the bidet seat. Hand-tighten to secure.
- 5) Connect the open end of the Cold Water Bidet Hose to the T-adaptor. Hand-tighten to secure.



PRODUCT INSTALLATION

6. Using of Hot Water Supply Cap

- 1) If you are only connecting the cold water supply, you must install the Hot Water Supply Cap.
- 2) If you wish to connect your hot water supply, then proceed to next step.

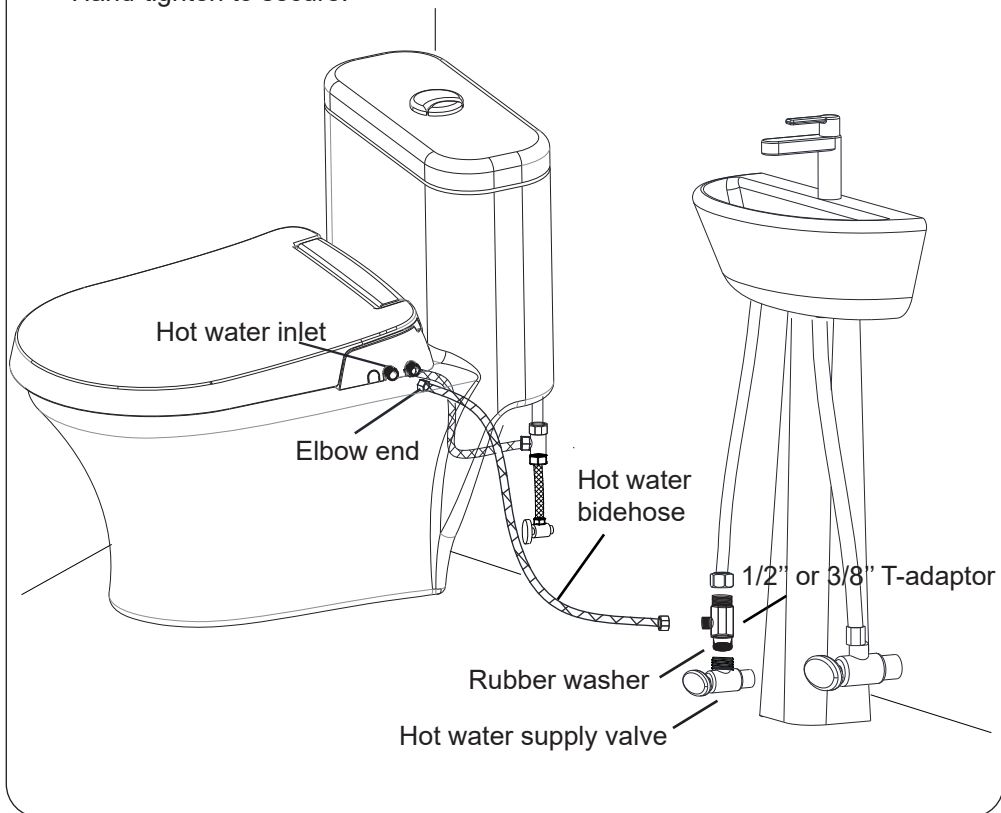


Hot water supply cap

PRODUCT INSTALLATION

7. Connecting Hot Water Supply

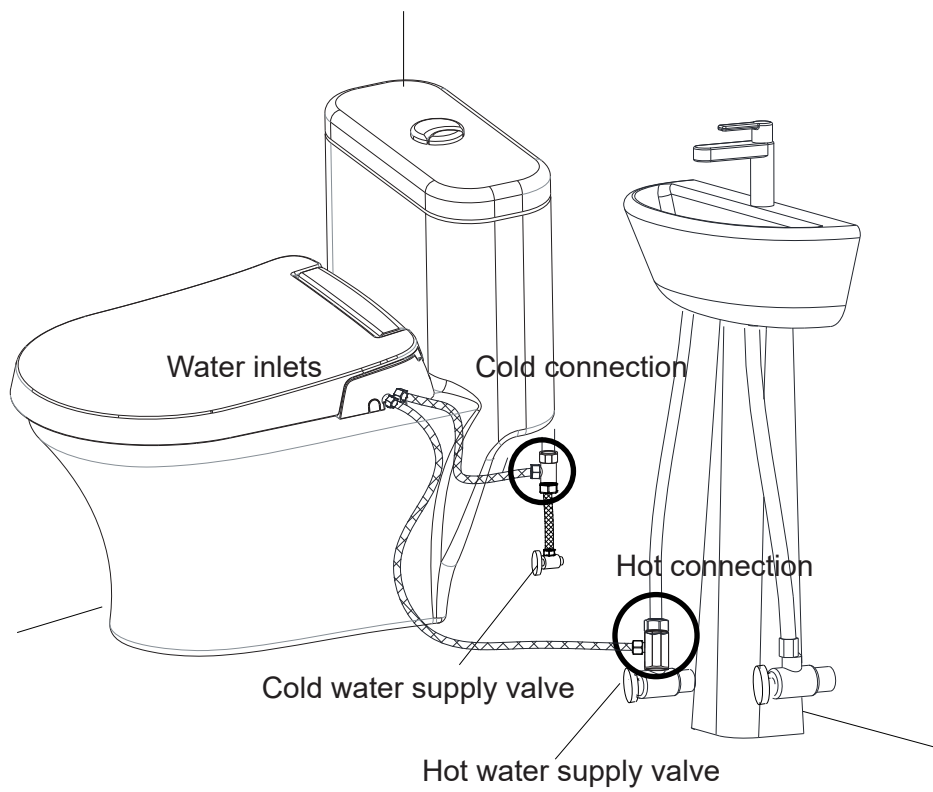
- 1) Locate the hot water supply line in your bathroom under your sink/washbasin and turn the water supply valve all the way off.
- 2) Install the 1/2" or 3/8" T-adaptor and Rubber Washer as needed onto the hot water shut off valve under the sink.
- 3) Reconnect hot water supply line to open end (top) of T-adaptor.
- 4) Connect the Hot Water Bidet Hose (elbow end) to the Hot Water Inlet on the bidet seat. Hand-tighten to secure.
- 5) Connect the open end of the Hot Water Bidet Hose to the T-adaptor. Hand-tighten to secure.



PRODUCT INSTALLATION

8. Turn on Water Supply & Check for Leaks

- a. Open the main water supply valves slowly and check for leaks.
- b. Wait 5 minutes, check again, and if there are no leaks, continue.



PRODUCT INSTALLATION

NOZZLE POSITIONING

1. Front Cleansing

For front, or feminine wash, turn the dial clockwise while seated. The further the dial is turned, the stronger the water pressure.

2. Rear Cleansing

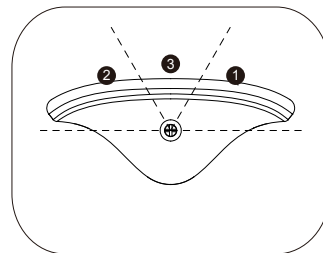
For rear, or posterior wash, simply turn the dial counterclockwise while seated. The further the dial is turned, the stronger the water pressure.

3. Self-cleaning Nozzles

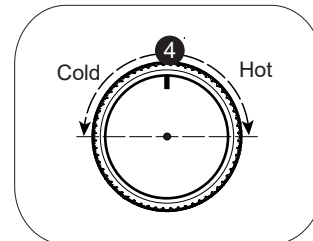
The nozzle will automatically go through a brief self-clean cycle with each use of the dial.

4. Adjust temperature of wash using the temperature control knob.

Wash Control



Temperature Control



TROUBLESHOOTING

Problem	Possible Causes	Solutions
Low water flow or spray pressure	<ol style="list-style-type: none"> 1. Water supply valve not opened fully 2. Nozzles dirty 	<ol style="list-style-type: none"> 1. Check that the water supply valve at wall is fully open. 2. Clean nozzles. (gently pull them out from inside of the seat manually, and use a soft cloth or toothbrush to clean off any build up.)
Nozzles do not function properly	<ol style="list-style-type: none"> 1. Nozzles are dirty 2. Water pressure is too low 	<ol style="list-style-type: none"> 1. Clean nozzles. (gently pull them out from inside of the seat manually, and use a soft cloth or toothbrush to clean off any build up.) 2. Check water supply valve at wall to fully open.
Water leaks from areas other than the nozzles	<ol style="list-style-type: none"> 1. Water leaking from the T-adaptor 2. Water leaking from the bidet hose connection 	<ol style="list-style-type: none"> 1. Make sure that the rubber washer is inserted correctly in to the T-adaptor. 2. Make sure that the bidet hose is correctly connected and tight. Check any rubber washer and do not overtighten.

MARO GmbH
Bahnhofpl. 5/Top 9,
9020 Klagenfurt am Wörthersee,
Austria

