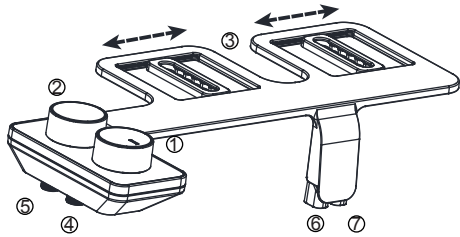


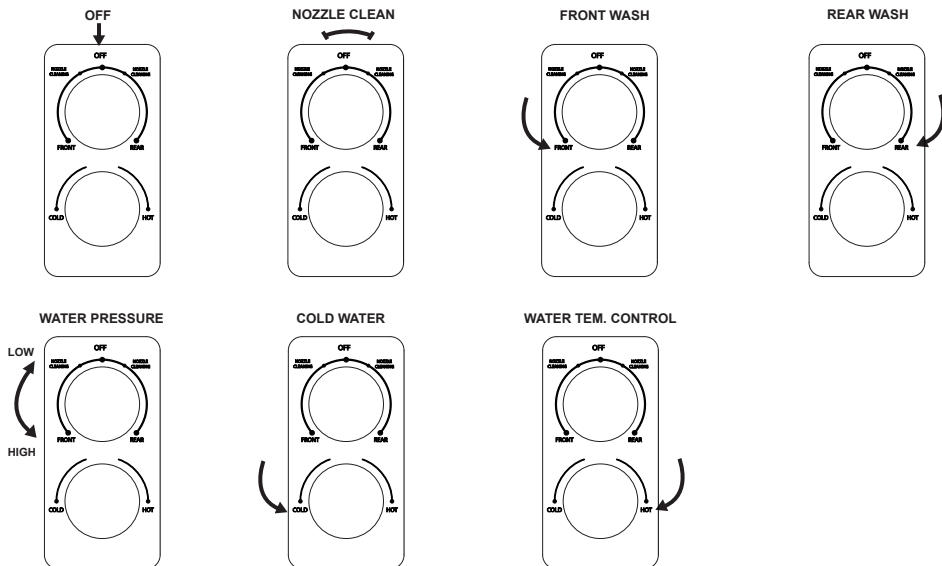
# Cold&Hot Bidet Attachment Assembly Instruction D.I.Y

## Product Introduction

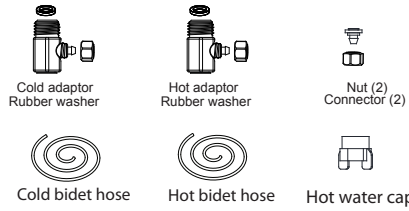


- ① Function nozzle
- ② Tem. control knob
- ③ Adjustable brackets
- ④ Cold water inlet
- ⑤ Hot water inlet
- ⑥ Rear wash nozzle
- ⑦ Front wash nozzle

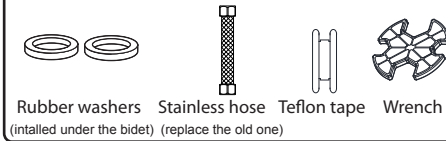
## Control Knob Operation



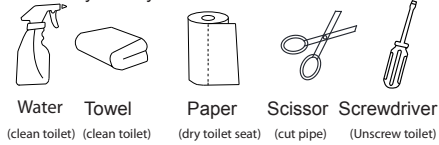
## Standard Accessories



## Optional Accessories

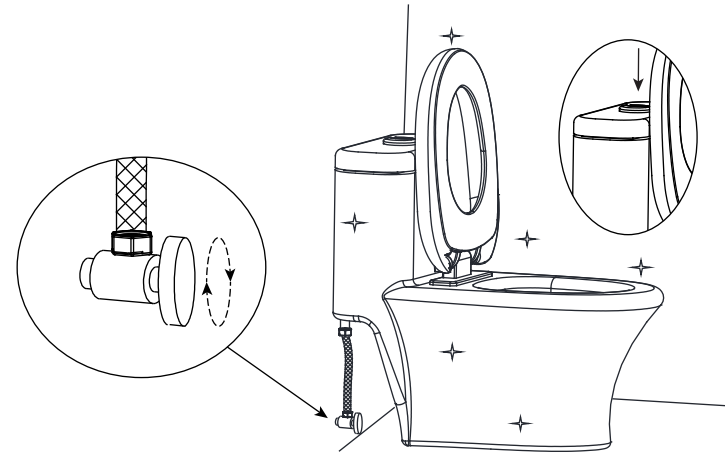


## The tools you may need



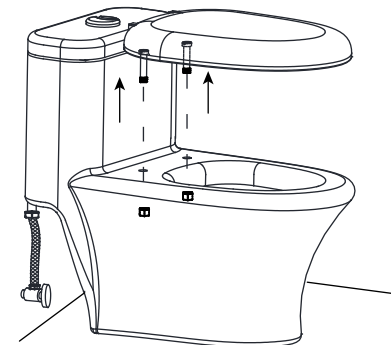
## 1. Turn off Water Supply Valve

- 1) Turn the cold water supply off at the wall to stop flow of water
- 2) Flush toilet and hold handle to completely empty toilet tank



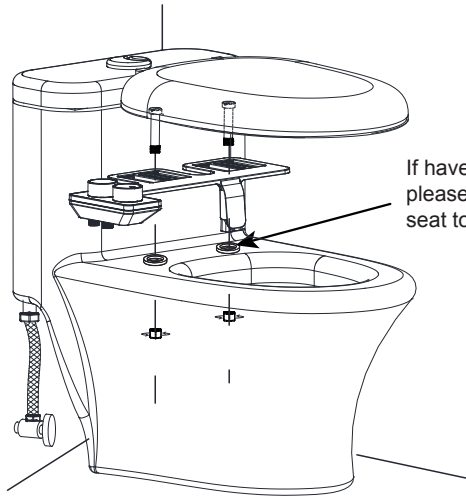
## 2. Removing Existing Toilet Seat

- 1) Lift hinge covers and use a screwdriver to remove the mounting bolts
- 2) Remove the toilet seat
- 3) Clean the toilet and dry the toilet seat surface



### 3. Install Bidet Attachment on Toilet

- 1) Place bidet attachment on the toilet
- 2) Move the adjustable plates to make sure it line up with the holes in the toilet
- 3) Replace the toilet seat on top of bidet attachment and secure using original toilet seat hardware

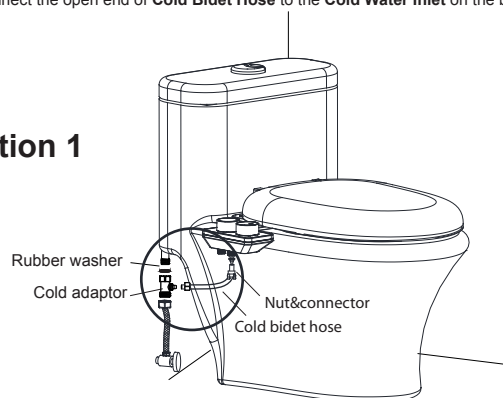


If have two big black washers, please add them under the bidet seat to avoid the rise of toilet seat.

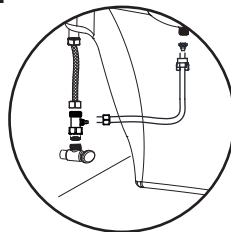
### 4. Connect Cold Water Supply

- 1) Option 1: Disconnect water supply line from the fill valve under the toilet tank  
Option 2: Disconnect water supply line to the cold water valve from the wall
- 2) Install the **Cold Adaptor** with rubber washer to the incoming water connection on the bottom of your toilet tank or install on the cold water valve from the wall
- 3) Reconnect the cold water supply line to the bottom (top) of the **Cold Adaptor**
- 4) Connect one end of the **Cold Bidet Hose** to the remaining open side of the installed Adaptor
- 5) Connect the open end of **Cold Bidet Hose** to the **Cold Water Inlet** on the back of the bidet

#### Option 1



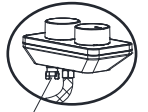
#### Option 2



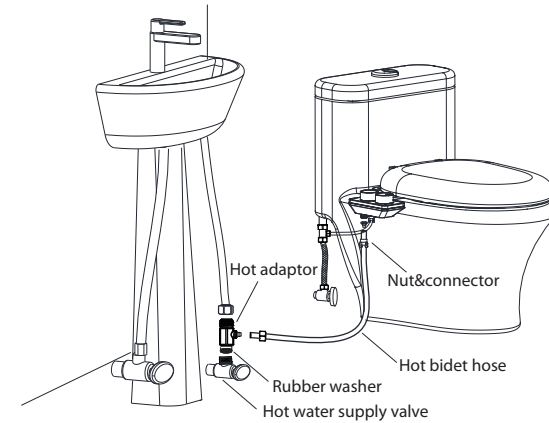
### 5. Connect Hot Water Supply

**Remind:** If you are **ONLY** connecting the cold water supply, then you must install the **Hot Water Supply Cap** over the hot water inlet. Pls make sure there is rubber washer inside the hot water cap before installing

- 1) Disconnect hot water supply hose to sink from shut off valve
- 2) Install the **Hot Adaptor** with rubber washer on to the hot water shut off valve under the sink
- 3) Reconnect the hot water supply line to the bottom (top) of the **Hot Adaptor**
- 4) Connect one end of the **Hot Bidet Hose** to the remaining open side of the installed Adaptor
- 5) Connect the open end of **Hot Bidet Hose** to the **Hot Water Inlet** on the back of the bidet



Hot water supply cap



### 6. Turn on Water Supply & Check for Leaks

- 1) Open the main water supply valve slowly and check for leaks
- 2) Wait 5-10 minutes, check again and if there are no leaks continue.

#### Tips

Turn the knob slightly according to the pressure that feel most comfortable.

